



- DELIVERY
- DRIVE-THRU
- TAKEOUT

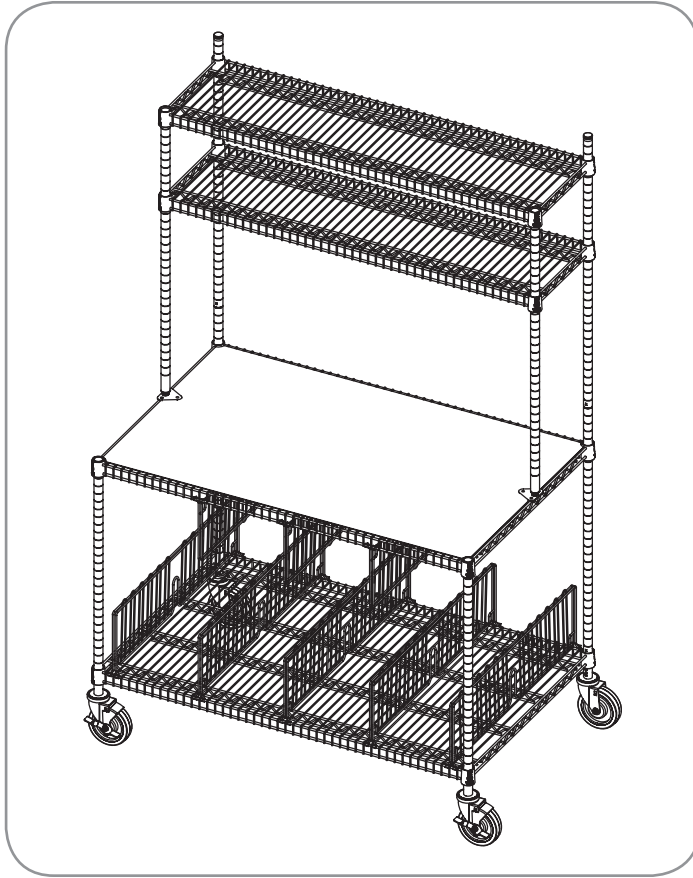
Solutions for Dine-In
Alternatives

spgusa.com

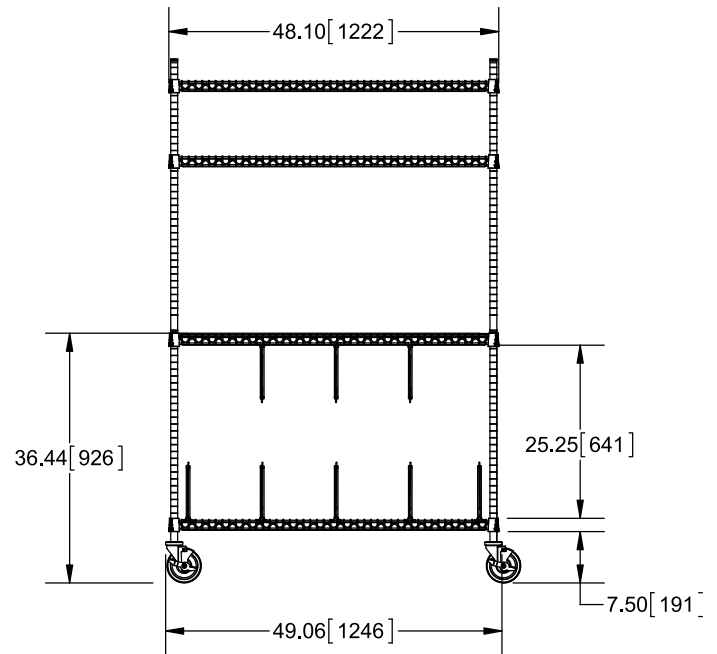


Drive-Thru Support Equipment

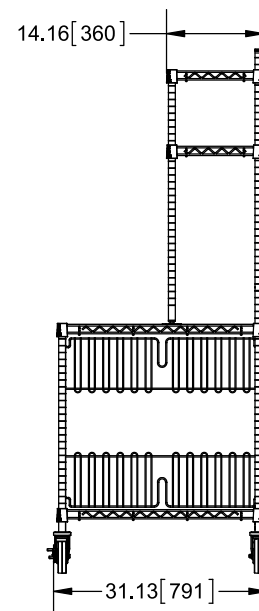
30" X 48" PACK STATION



TECHNICAL DETAILS *not to scale*



FRONT ELEVATION



SIDE ELEVATION

ISS® Pack Station

Increase Productivity for Drive-Thru, Takeout, and Delivery Service Options.

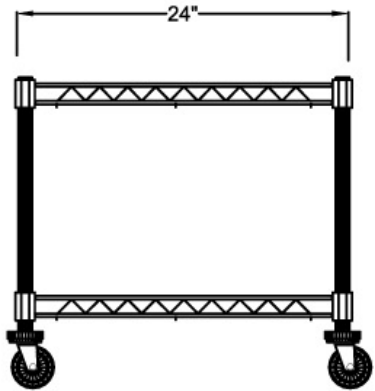
ISS Wire Workstation designed to make alternative dining a painless process. Ample undershelf storage provides a 30" x 48" wire shelf with dividers for easy categorization. A stainless steel surface makes prep a snap. And two overhead shelves provide convenient access to labels, stickers, boxes, bags, etc. 4 swivel casters take this station anywhere you need it.

Part Number	W x L x H (in.)	W x L x H (mm)
WST1803C	30 x 48 x 72	762 x 1219 x 1829

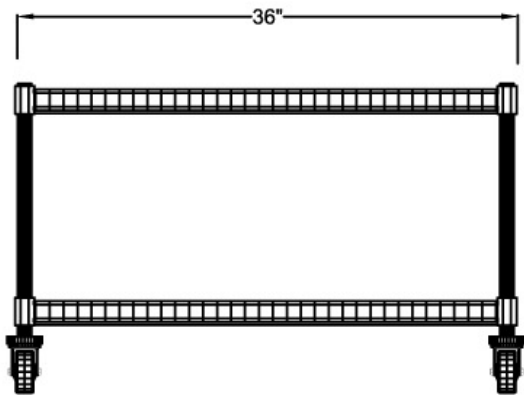
Drive-Thru Support Equipment

24" X 36" UNDERCOUNTER STATION

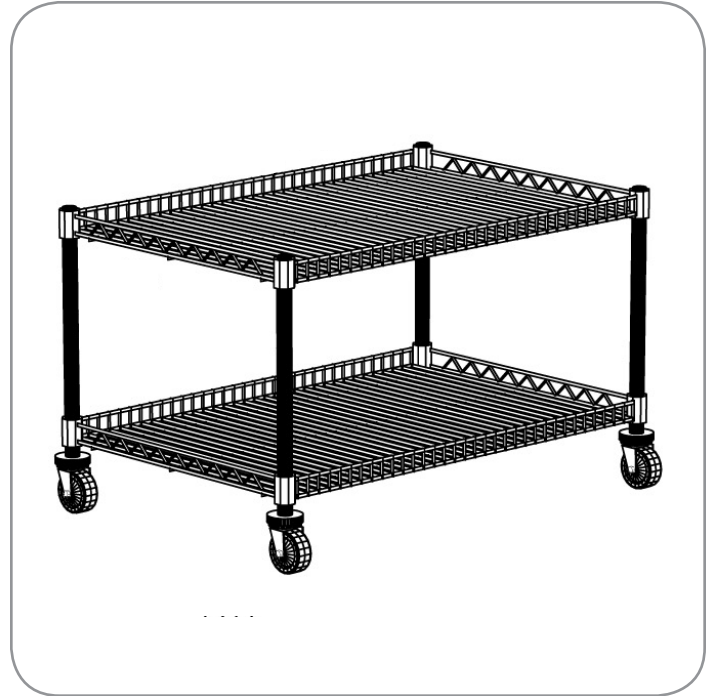
TECHNICAL DETAILS *not to scale*



FRONT ELEVATION



SIDE ELEVATION



ISS® Under-Counter Station

Increase Speed-of-Service for Drive-Thru, Takeout, and Delivery Service Options.

A 2-Tier Mobile Wire Shelving Cart. Designed to fit under foodservice counters. Ideal for replenishing stock and keeping products at point of use. 4 polyurethane swivel casters offer easy maneuverability and mobility. And the unit can be easily assembled without tools – thanks to our patented one-piece hinged Sure Lock™, numbered posts and assembly instructions.

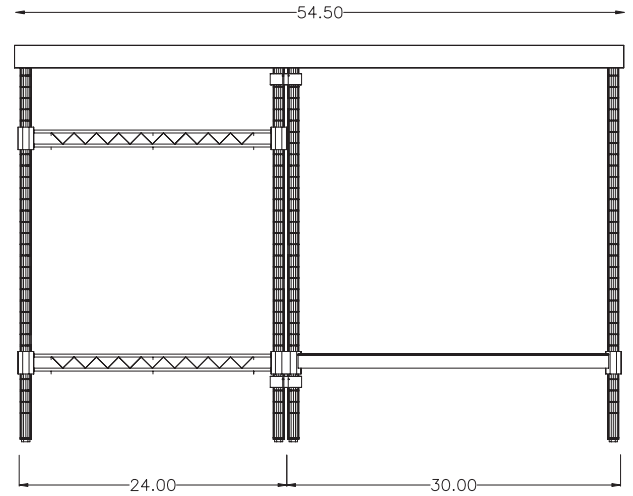
Part Number	W x L x H (in.)	W x L x H (mm)
CHPUBC	24 x 36 x 24	610 x 914 x 610

Drive-Thru Support Equipment

30" X 54" PICK-UP DRIVE-THRU COUNTER



TECHNICAL DETAILS *not to scale*

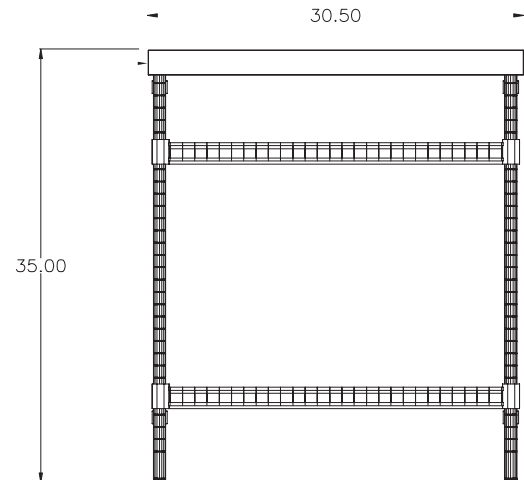


FRONT ELEVATION

ISS® Pick-Up Drive-Thru Counter

Increase Productivity for Drive-Thru, Takeout, and Delivery Service Options.

Part Number	W x L x H (in.)	W x L x H (mm)
PUDT6540EY	30 x 54 x 35	762 x 1371 x 889

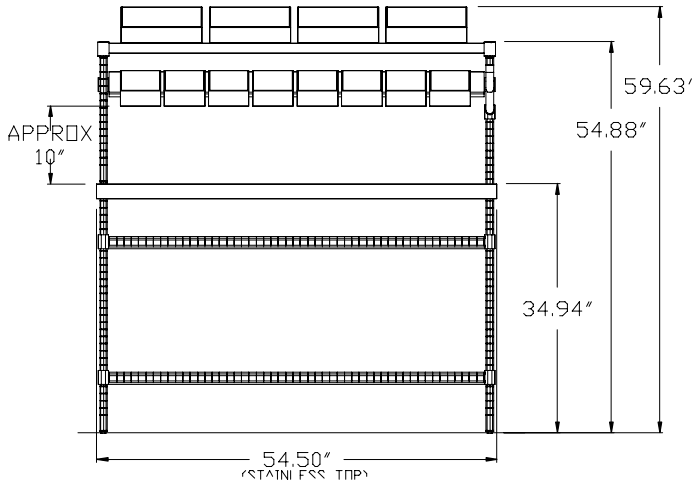


SIDE ELEVATION

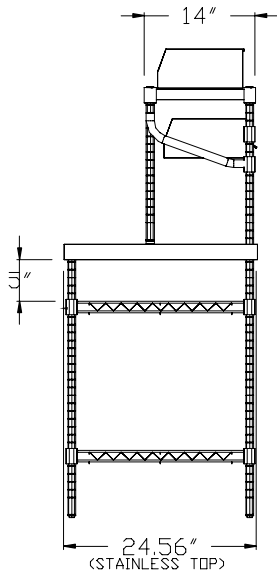
Drive-Thru Support Equipment

24" X 54" DRIVE-THRU COUNTER

TECHNICAL DETAILS *not to scale*



FRONT ELEVATION



SIDE ELEVATION



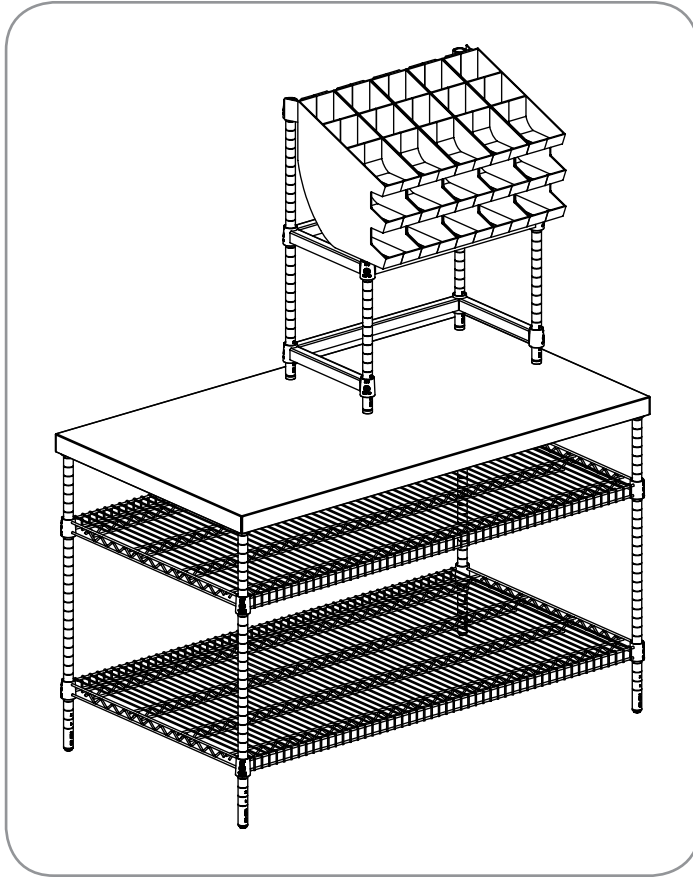
ISS® Drive-Thru Counter

Increase Productivity for Drive-Thru, Takeout, and Delivery Service Options.

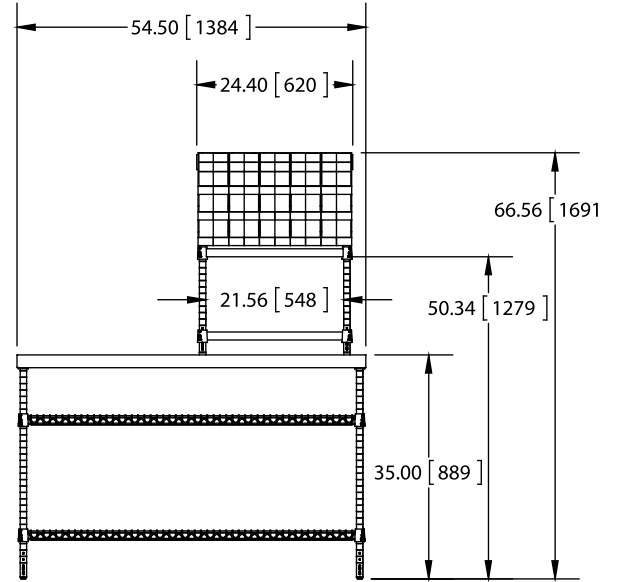
Part Number	W x L x H (in.)	W x L x H (mm)
WST157Y	24 x 54 x 60	610 x 1371 x 1524

Drive-Thru Support Equipment

30" X 54" DRIVE-THRU COUNTER



TECHNICAL DETAILS *not to scale*

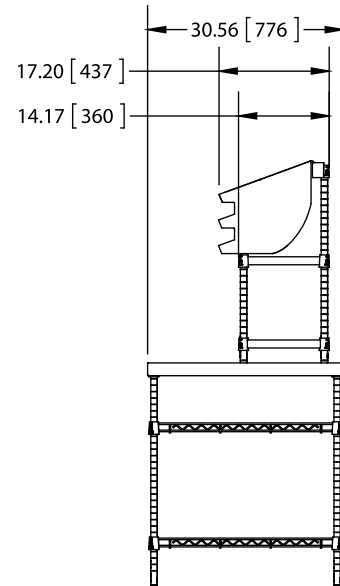


FRONT ELEVATION

ISS® Drive-Thru Counter

Increase Productivity for Drive-Thru, Takeout, and Delivery Service Options.

Part Number	W x L x H (in.)	W x L x H (mm)
WST690Y	30 x 54 x 66	762 x 1371 x 1676

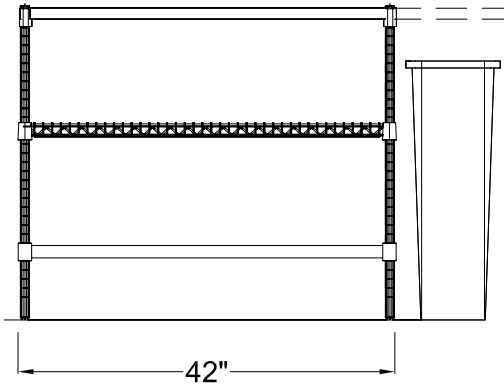


SIDE ELEVATION

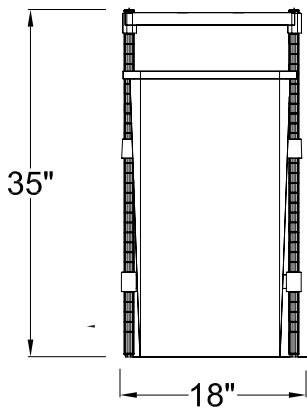
Drive-Thru Support Equipment

18" X 42" DRIVE-THRU COUNTER

TECHNICAL DETAILS *not to scale*



FRONT ELEVATION



SIDE ELEVATION



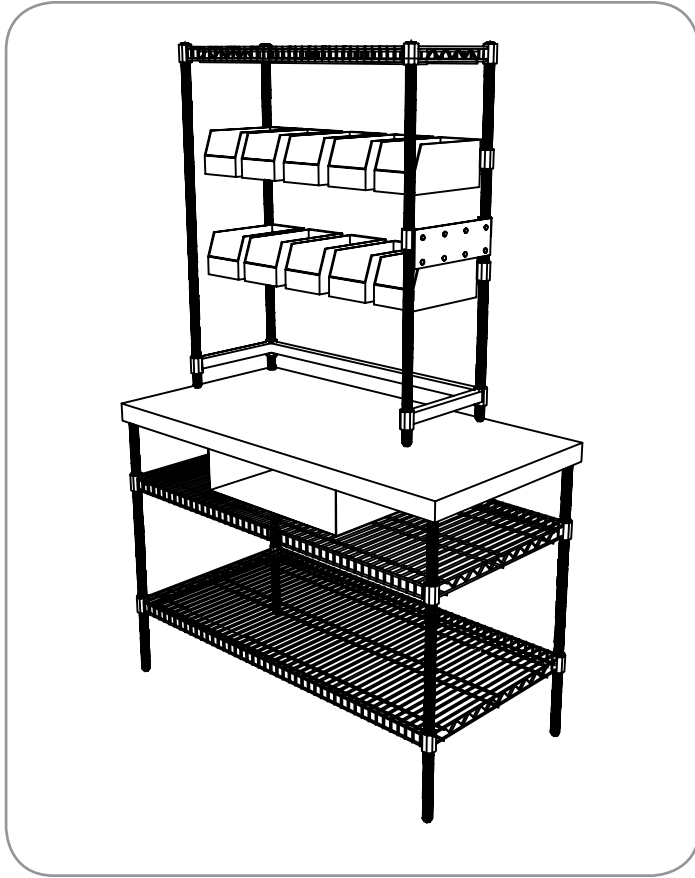
ISS® Drive-Thru Counter

Increase Speed-of-Service for Drive-Thru, Takeout, and Delivery Service Options.

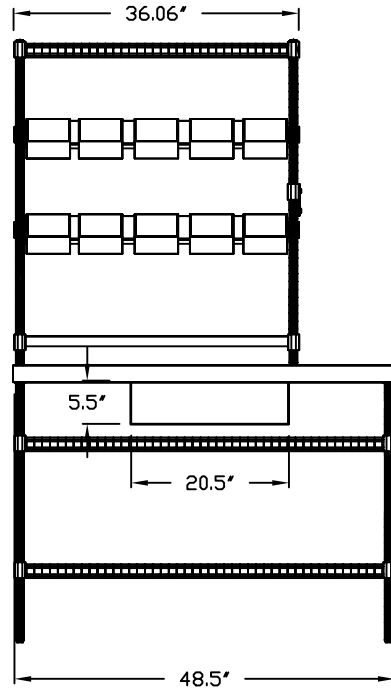
Part Number	W x L x H (in.)	W x L x H (mm)
WST659E	18 x 42 x 35	457 x 1066 x 889

Drive-Thru Support Equipment

24"X 48" DRIVE-THRU STATION



TECHNICAL DETAILS *not to scale*

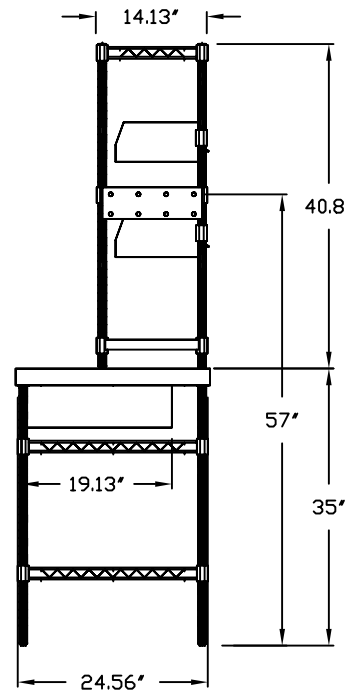


FRONT ELEVATION

ISS® Drive-Thru Station

Increase Productivity for Drive-Thru, Takeout, and Delivery Service Options.

Part Number	W x L x H (in.)	W x L x H (mm)
WST1165C	24 x 48 x 76	609 x 1219 x 1930

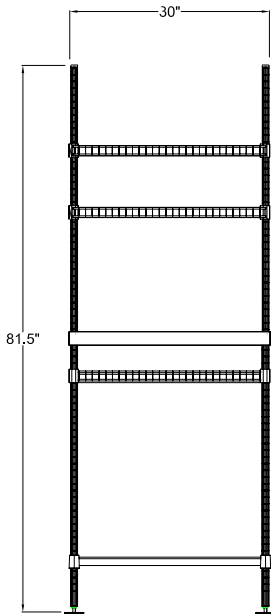


SIDE ELEVATION

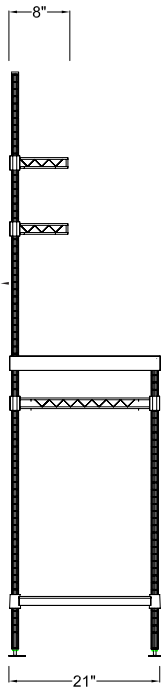
Drive-Thru Support Equipment

21" X 30" DRIVE-THRU STAND

TECHNICAL DETAILS *not to scale*



FRONT ELEVATION



SIDE ELEVATION



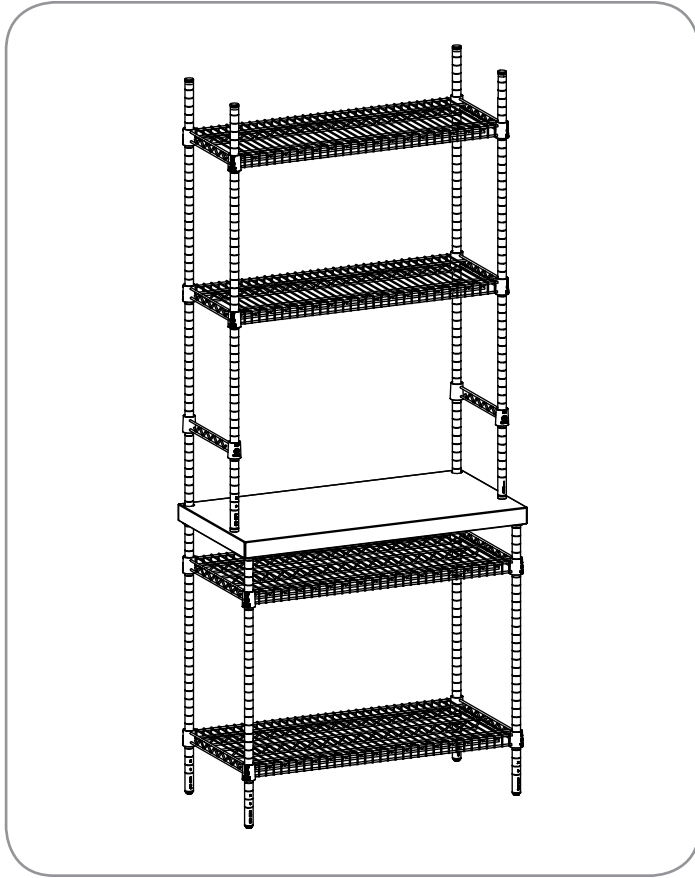
ISS® Drive-Thru Stand

Increase Speed-of-Service for Drive-Thru, Takeout, and Delivery Service Options.

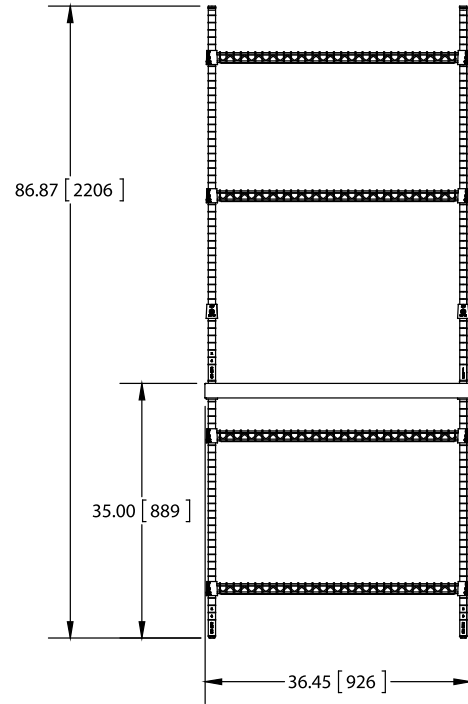
Part Number	W x L x H (in.)	W x L x H (mm)
WST1060C	21 x 30 x 81	533 x 762 x 2057

Drive-Thru Support Equipment

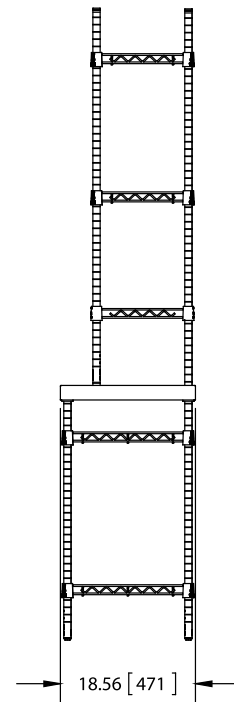
18"X 36" PRE-PAY DRIVE-THRU COUNTER



TECHNICAL DETAILS *not to scale*



FRONT ELEVATION



SIDE ELEVATION

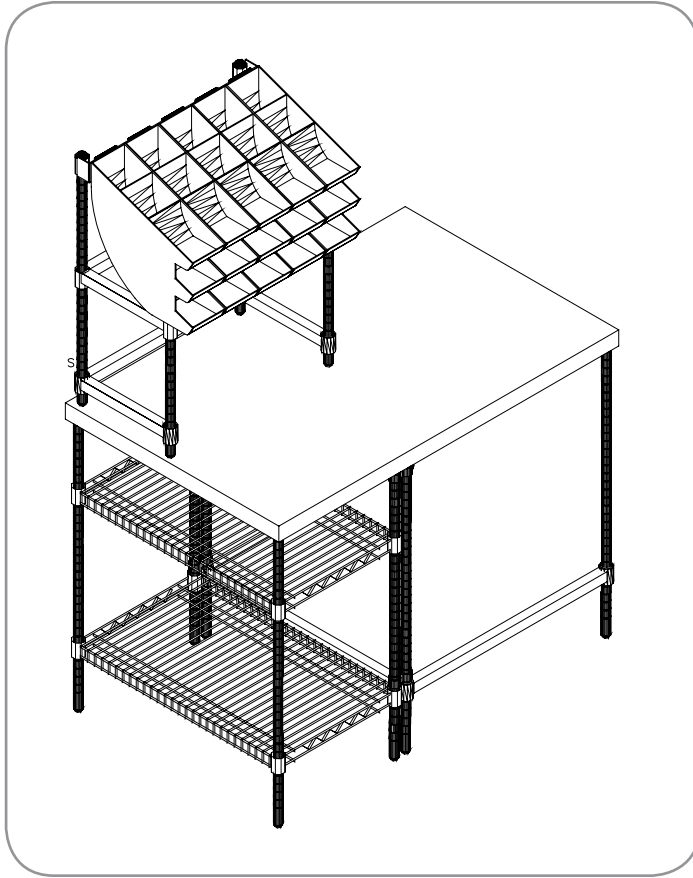
ISS® Pre-Pay Drive-Thru Counter

Increase Productivity for Drive-Thru, Takeout, and Delivery Service Options.

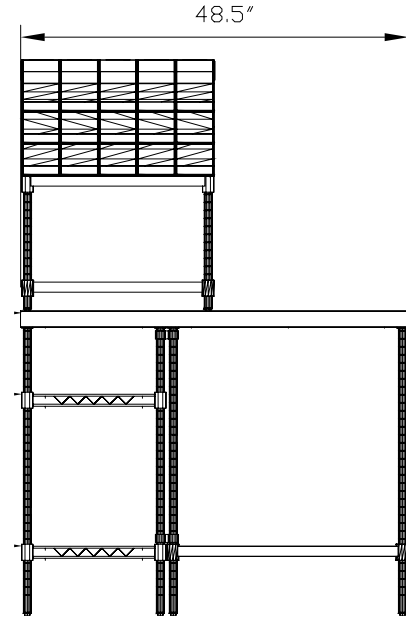
Part Number	W x L x H (in.)	W x L x H (mm)
WST1230Y	18 x 36 x 86	457 x 914 x 2184

Drive-Thru Support Equipment

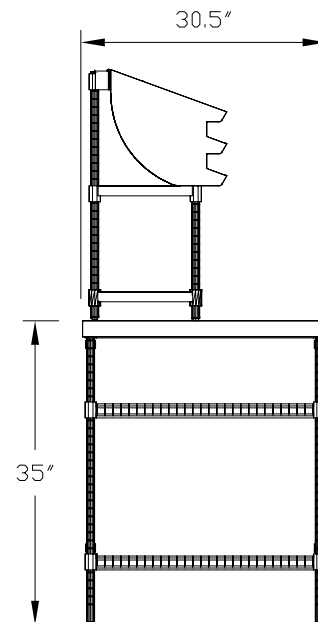
30"X 48" DRIVE-THRU STATION



TECHNICAL DETAILS *not to scale*



FRONT ELEVATION



SIDE ELEVATION

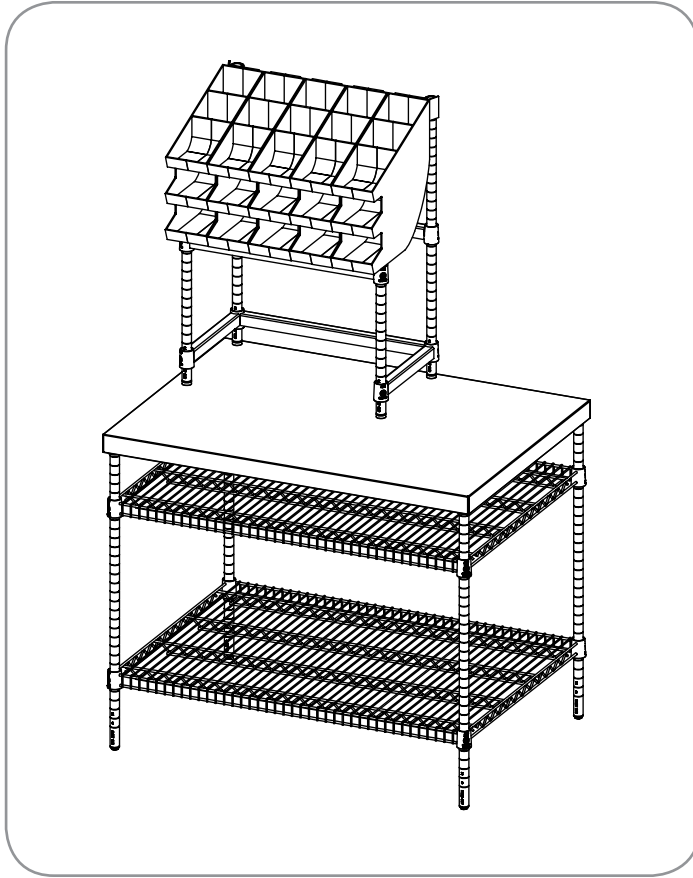
ISS® Drive-Thru Station

Increase Productivity for Drive-Thru, Takeout, and Delivery Service Options.

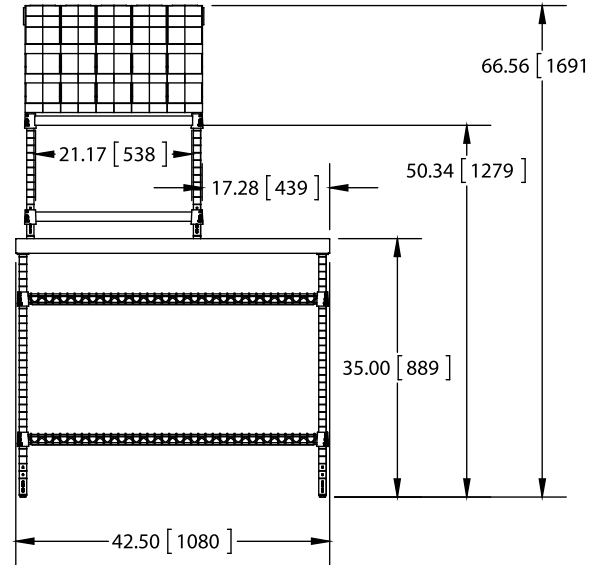
Part Number	W x L x H (in.)	W x L x H (mm)
WST1273Y	30 x 48 x 35	762 x 1219 x 889

Drive-Thru Support Equipment

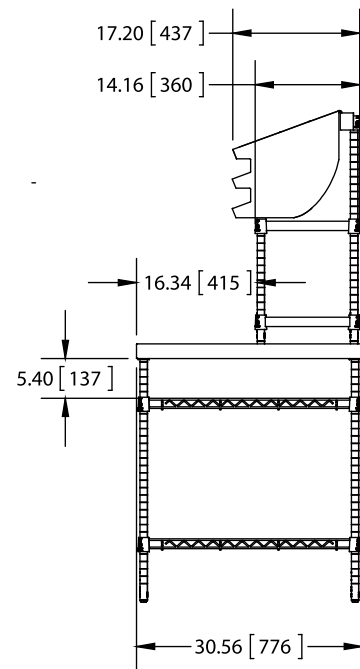
30"X 42" DRIVE-THRU COUNTER



TECHNICAL DETAILS *not to scale*



FRONT ELEVATION



SIDE ELEVATION

ISS® Drive-Thru Counter

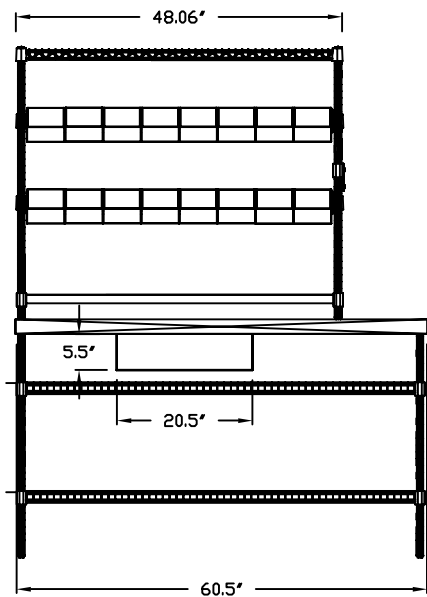
Increase Productivity for Drive-Thru, Takeout, and Delivery Service Options.

Part Number	W x L x H (in.)	W x L x H (mm)
WST1344Y	30 x 42 x 66	914 x 1549 x 1676

Drive-Thru Support Equipment

24" X 60" DRIVE-THRU EXPEDITING STATION

TECHNICAL DETAILS *not to scale*

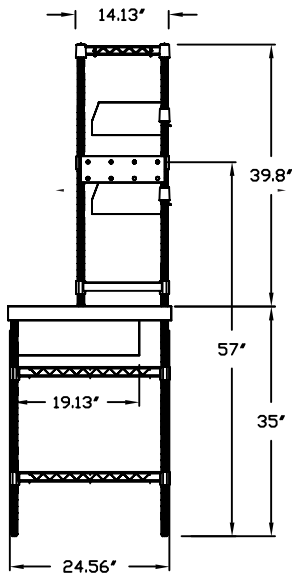


FRONT ELEVATION



ISS® Drive-Thru Expediting Station

Increase Speed-of-Service for Drive-Thru, Takeout, and Delivery Service Options.



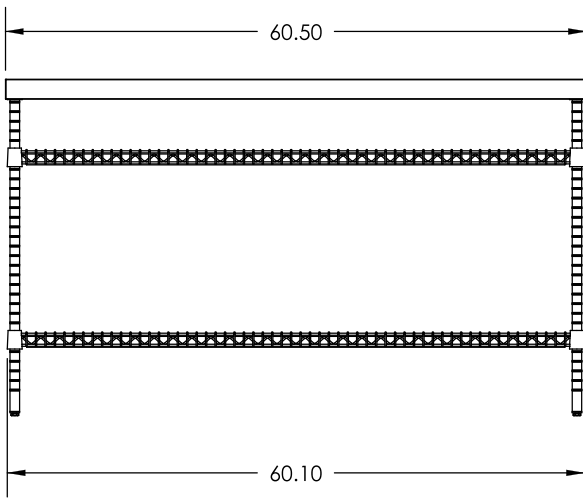
SIDE ELEVATION

Part Number	W x L x H (in.)	W x L x H (mm)
WST1357Y	24 x 60 x 76	610 x 1524 x 1930

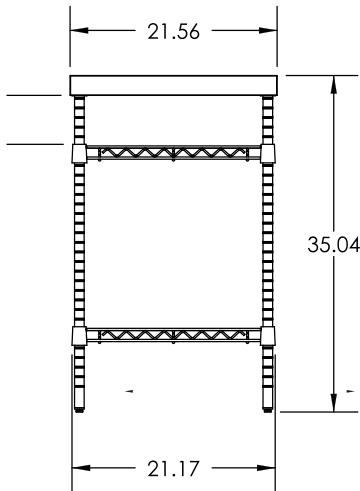
Drive-Thru Support Equipment

21" X 60" DRIVE-THRU COUNTER

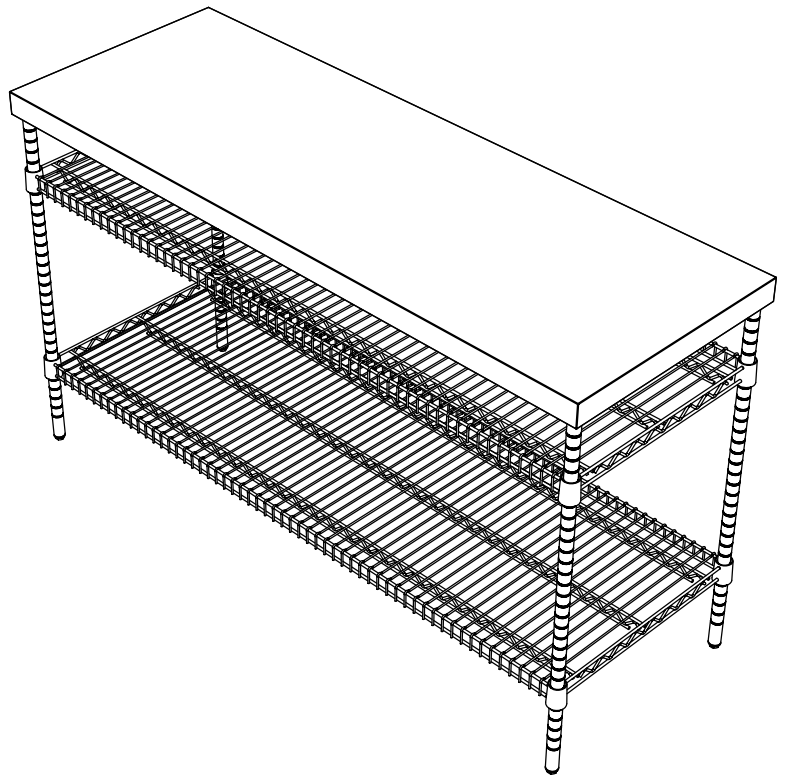
TECHNICAL DETAILS *not to scale*



FRONT ELEVATION



SIDE ELEVATION



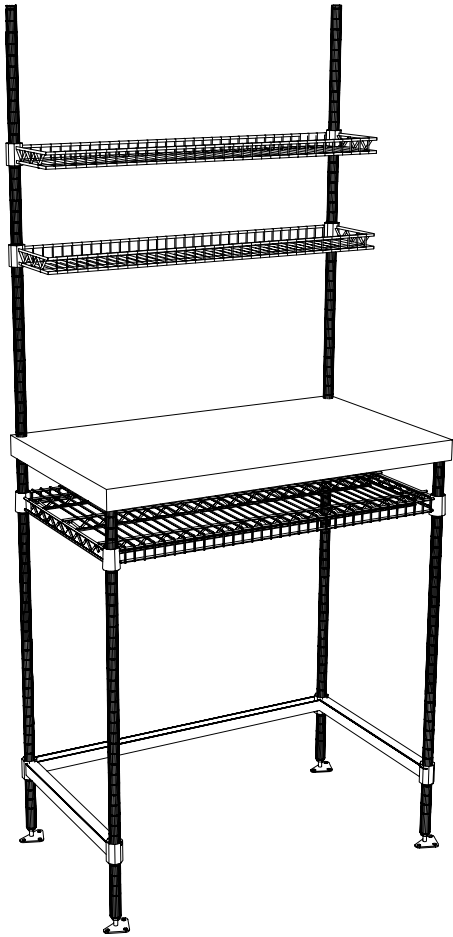
ISS® Drive-Thru Counter

Increase Speed-of-Service for Drive-Thru, Takeout, and Delivery Service Options.

Part Number	W x L x H (in.)	W x L x H (mm)
WST1535Y	21 x 60 x 35	533 x 1524 x 889

Drive-Thru Support Equipment

21" X 30" DRIVE-THRU STAND



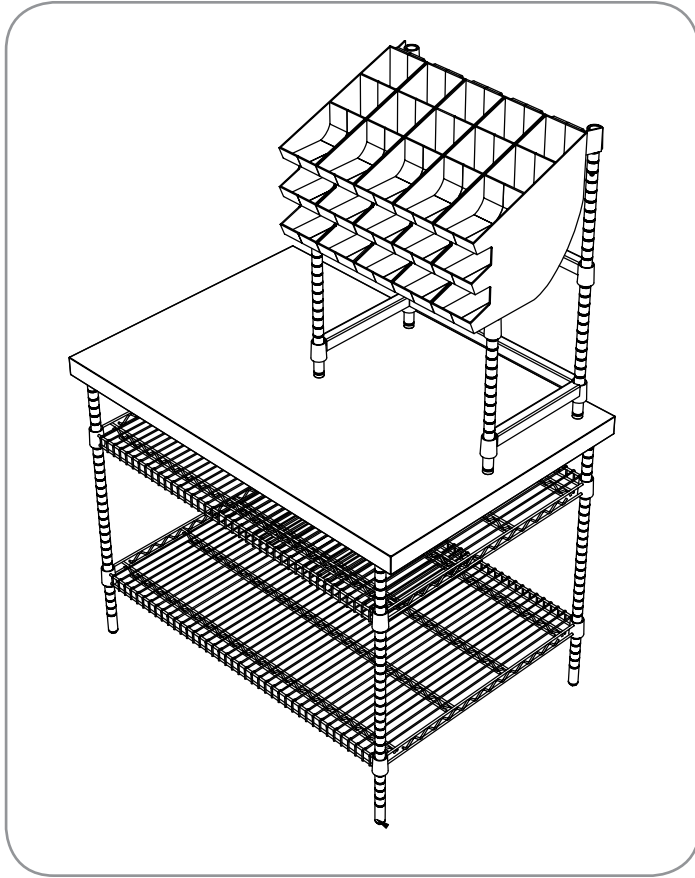
ISS® Drive-Thru Stand

Increase Speed-of-Service for Drive-Thru, Takeout, and Delivery Service Options.

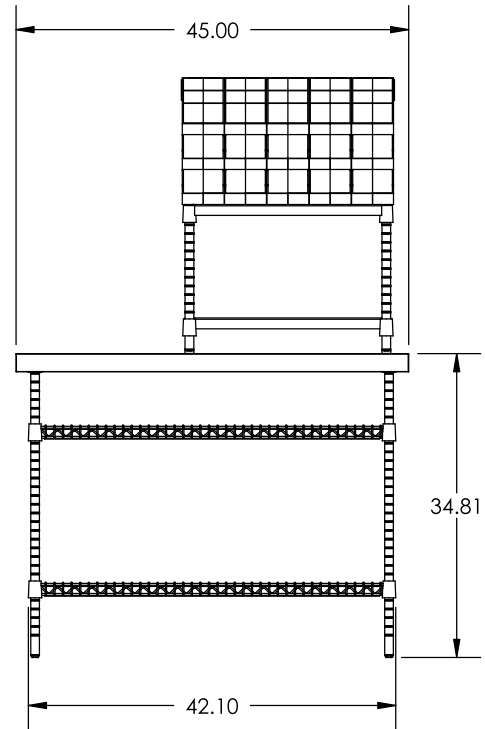
Part Number	W x L x H (in.)	W x L x H (mm)
WST1060C	21 x 30 x 76	533 x 762 x 1930

Drive-Thru Support Equipment

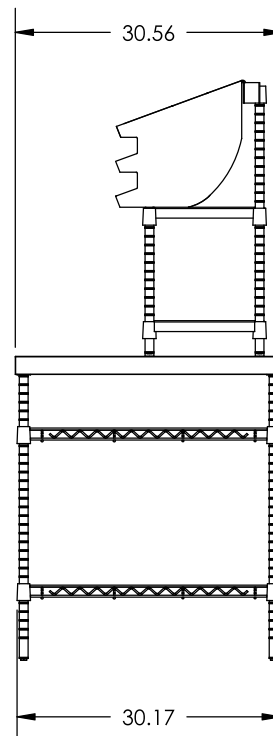
30"X 45" DRIVE-THRU COUNTER



TECHNICAL DETAILS *not to scale*



FRONT ELEVATION



SIDE ELEVATION

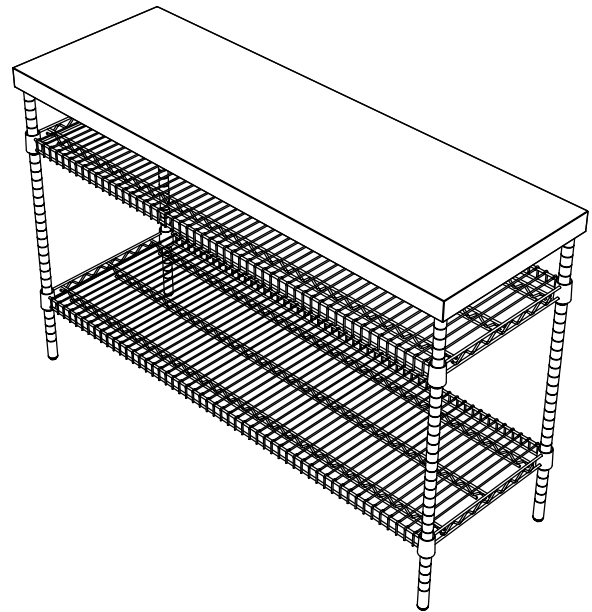
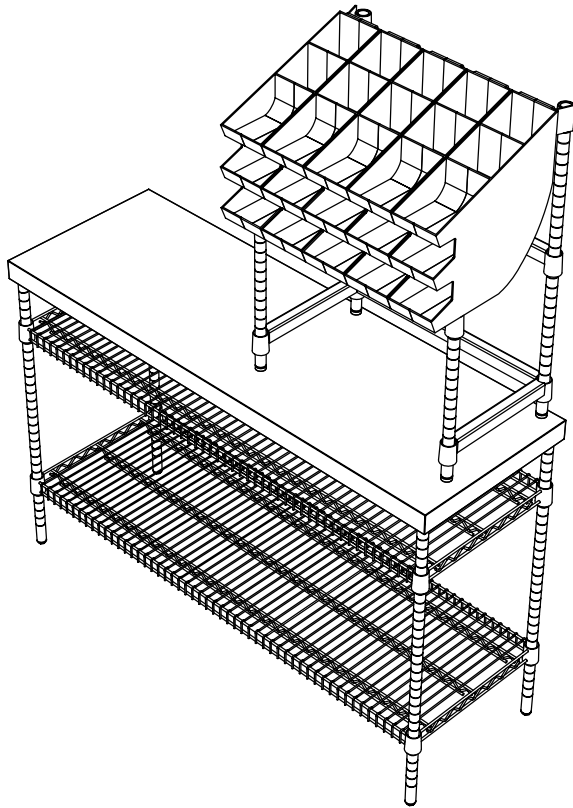
ISS® Drive-Thru Counter

Increase Productivity for Drive-Thru, Takeout, and Delivery Service Options.

Part Number	W x L x H (in.)	W x L x H (mm)
WST1630Y	30 x 45 x 35	762 x 1143 x 889

Drive-Thru Support Equipment

18" X 54" DRIVE-THRU COUNTER



ISS® Drive-Thru Counter with Condiment Tower

Part Number	W x L x H (in.)	W x L x H (mm)
WST444Y	18 x 54 x 66	457 x 1371 x 1676

ISS® Drive-Thru Counter

Part Number	W x L x H (in.)	W x L x H (mm)
WST444NCY	18 x 54 x 35	457 x 1371 x 889

Drive-Thru Support Equipment

DRIVE-THRU WORKSTATIONS

ISS™ Drive-Thru Workstation

- 30" x 60" baseline drive thru workstation provides the ultimate in organization, accessibility and workspace
- Minimizes time, motion and effort required to stage orders
- Comes with overhead storage area, condiment bins, lower storage shelving area — and open area to accommodate undercounter equipment needs
- Can also be converted to use our condiment tower and order stager system
- Choose from Plating Plus™, Grey Bond® or Gold Bond® finishes
- Also available in:
 - 18", 24", and 36" depths
 - 30", 36", 42", 48", 54" and 60" lengths

Model No. WST1363Y

For an assembled unit, add "A" as suffix to the model no.



ISS™ Open Base Workstation

- 30" x 30" baseline multi-purpose workstation is ideal as a prep station, drive-thru counter, sandwich-making stand, or equipment stand
- Available in all standard depths and lengths
- Upper and lower storage shelving
- Choose from a wide array of posts, shelves, shelf covers and accessories
- Durable design with shelves rated to support 1,250 lbs. of uniformly distributed weight
- Features Gold Bond® finish and a 10-year warranty against corrosion
- Available in a variety of essential sizes

Model No. WTO3030Y

For an assembled unit, add "A" as suffix to the model no.



Drive-Thru Support Equipment

DRIVE-THRU ACCESSORIES



ISS™ Under-Counter Condiment Cart

- Three open wire shelves, each with a built-in ledge to prevent condiment bins from falling
- Digital posts with casters
- Three bin blocker bars (one per shelf) prevent condiment bins from sliding to the back of each shelf

Model No.	Bins	L x W x H	
		(In.)	(mm)
WST1082C	12	18 x 24 x 24.5	455 x 610 x 623



ISS™ Order Stager

- Countertop organizer keeps orders separated and in proper sequence
- Right-to-left order flow
- Includes 3 divider bars and Divider Bar Holder (not shown in photo)

Model No.	W x L x H	Weight	
	(In.)	(mm.)	(Lbs) (Kg.)
ORDSTAGL	21 x 30 x 6	540 x 762 x 152	6 3



ISS™ Condiment Towers

- A proven system to speed customers through at the counter and the drive thru window
- Gravity-fed bins keep condiments organized and deliver first-in, first-out inventory control
- Kit includes: two 29" gray posts, two 15" gray posts, 3-sided frame, 18" hanger bar, five 3-way bins; straw holder
- Two order flow options (left-to-right is "R" model; right-to-left is "L" model)
- Strong, wear resistant ABS plastic
- Also available in 18" lengths
- Shown with ISS™ Order Stager (not included)

Model No.	W x L x H	Weight	
	(In.)	(mm.)	(Lbs) (Kg.)
CONDTOW24L	24.5 x 24.5 x 30.5	622 x 622 x 750	3 14
CONDTOW24R	24.5 x 24.5 x 30.5	622 x 622 x 750	3 14

Drive-Thru Support Equipment

FREESTYLE CANTILEVER WORKSTATIONS

- The ergonomic design maximizes usable kitchen space and provides added storage for packaging, smallwares, menus, ingredients, utensils and more
- An impressive total load-bearing capacity of 2,800 lbs.
 - each upper shelf has a 600-lb. capacity
 - bottom shelf capacity is 1,000 lbs.
- Plug and place steamers, microwaves, food warmers and other standard equipment
- Fast, easy cleaning of food prep surfaces and overall structure
- 30" deep stainless steel work surface provides plenty of area for prep work
- Open-base design delivers adequate space for a fridge under the work surface of the 48", 54" and 60" models
- Shelf and work surface heights adjust in 2" increments
- Add components or shelves without tools
- No front uprights for an uninterrupted work surface

Before you choose a workstation, consider why so many major national foodservice operations have turned to Freestyle® to improve storage, efficiency and productivity.

Freestyle® combines the versatility and flexibility of a freestanding unit while providing rock-solid strength and stability to support steamers, microwaves and other vital equipment

From the ability to add or reconfigure shelves quickly and without tools to the wide selection of accessories available — everything about Freestyle® is customizable.

Unlike most competitive units, Freestyle® doesn't require a bottom shelf for stability — freeing up floor space underneath for a refrigerator at a prep station or a safe at the Drive-Thru.

Storage is enhanced by virtue of a 2,800-lb. unit capacity...shelves that can be positioned in 2" increments...and shelf surface areas that are uninterrupted by front uprights.



Model No.	Prep Surface Widths	Overhead Shelf Widths	Lengths	Inside Clearance
WST1491E	30" (762 mm)	18" (457 mm)	60" (1524 mm)	56" (1429 mm)
WST1539E	30" (762 mm)	18" (457 mm)	54" (1372 mm)	50" (1276 mm)
WST1492E	30" (762 mm)	18" (457 mm)	48" (1219 mm)	44" (11245 mm)
WST1493E	30" (762 mm)	18" (457 mm)	36" (914 mm)	32" (819 mm)

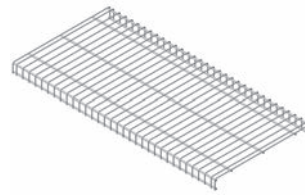
Need Even More Capacity?

The innovative Freestyle® Brace can quickly and easily increase the weight capacity of a Freestyle® by 200 lbs. or 400 lbs. per shelf. (See page 25 for details.)

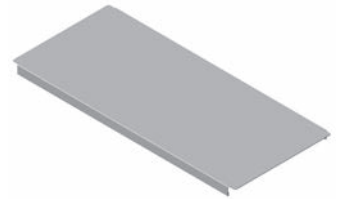
Drive-Thru Support Equipment

FREESTYLE CANTILEVER WORKSTATIONS

Customizable with a complete line of accessories:



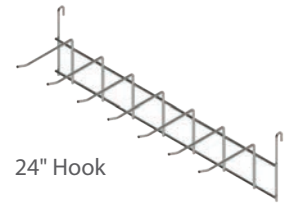
Wire Shelf Cover



Solid Shelf Cover



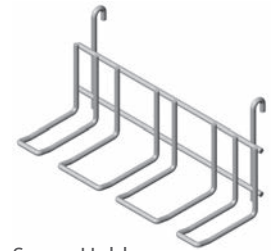
Grid Basket



24" Hook



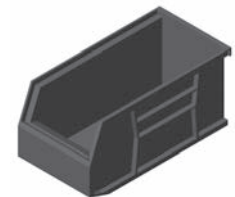
Spoodle Holder



Scoop Holder



Hanger Rails



Bins



Pot Hook Grey

Drive-Thru Support Equipment

SECURITY SHELVING

AMCO® Security Shelving

- Lockable wire enclosure limits opportunities to steal, reducing losses due to theft
- Provides a secure area with adjustable shelving for storage of costly items that tend to disappear
- 2" x 2" wire-spacing prevents small goods from being removed
- Door secures at both top and bottom, and handle has hasp design so it can be padlocked (padlock not included)
- Shelves and posts may be ordered in any available finish – enclosure available in Plating Plus™ finish only
- Available in stationary and mobile models – choose from a variety of standard caster offerings

Stationary Models	Mobile Models	Dimensions
SU1300CP	SU1172CPMO	18 x 48 x 72
SU1316CP	SU1188CPMO	24 x 48 x 72
SU1302CP	SU1174CPMO	18 x 60 x 72
SU1318CP	SU1190CPMO	24 x 60 x 72



ISS™ Stationary Security Units

- Includes 4 posts, top and bottom shelves, 2 side panels, 2 back panels and 2 lockable front doors
- Order intermediate shelves separately

Plating Plus™	Gold Bond®	W x L x H
SR536C	SR536Y	24 x 36 x 68
SR548C	SR548Y	24 x 48 x 68
SR560C	SR560Y	24 x 60 x 68

ISS™ Mobile Security Trucks

- Standard Security Trucks include:
4 posts; top and bottom shelves; 2 side panels; 2 back panels; 2 lockable front doors; 4 5" resilient stem swivel casters, 4 bumpers – order intermediate shelves separately

Heavy Duty Security Trucks include a dolly frame with wraparound bumpers and 5" resilient plate casters

Plating Plus™	Gold Bond®	W x L x H
Standard		
SS536C	SS536Y	24 x 36 x 68
SS548C	SS548Y	24 x 48 x 68
SS560C	SS560Y	24 x 60 x 68
Heavy Duty		
SH536C	SH536Y	24 x 36 x 68
SH548C	SH548Y	24 x 48 x 68
SH560C	SH560Y	24 x 60 x 68

Drive-Thru Support Equipment

SPECIALTY PAN RACKS

Kelmax Aluminum Z-Racks

- Z-Racks have reinforced gussets for greater strength
- Heavy-duty runners welded to uprights
- Holds bun trays
- Keeps product fresher by allowing food to thaw properly
- Nesting reduces storage footprint by up to 50%
- Lifetime guarantee against rust
- Units have standard 5" polyurethane casters

Kelmax Z-Racks	Tray Capacity
4H7196	10
4H7204	12
4H7205	15
4H7206	18
4H7207	20



Kelmax Enclosed Cabinets

- Great for areas where cabinets will be in public view such as hospital hallways or dining halls
- All welded units with double pan tops
- Door opens 270 degrees on stainless steel hinges
- Stainless steel gravity latch is drilled for padlock
- Heavy-duty models have reinforced center supports and standard 5" x 2" casters

Model No.	Description	Tray		
		Capacity	Spacing (In.)	L x W x H
4H2200	Enclosed Cabinet	40	1.5	28 x 22 x 68
4H5035	Enclosed Cabinet Modular Decking	20	3	30 x 22 x 71

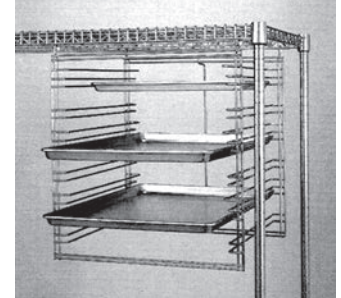


Drive-Thru Support Equipment

DRIVE-THRU ACCESSORIES

Universal Racks

- Accommodates full and half size sheet pans, 17-1/2" drawers, or a combination



Plating Plus™ Model No.	Gold Bond® Model No.	W x D x H		Fits Shelf (In.)	Accommodates	
		(In.)	(mm.)		# Pans	# Drawers
UNIV5TRC2	UNIV5TRY2	20 x 20.5 x 16	508 x 521 x 400	24	4	2
UNIV5TRC	UNIV5TRY	20 x 20.5 x 22	508 x 521 x 568	24	6	3

One Piece Undershelf Drawer Slides

- Accommodates 17-1/2" drawers

Plating Plus™ Model No.	Gold Bond® Model No.	W x D x H		Fits Shelf	
		(In.)	(mm.)	(In.)	(In.)
USS4C	USS4Y	22 x 18 x 11	558 x 457 x 279	21	533
USS5C	USS5Y	22 x 21 x 11	558 x 533 x 279	24	610



Adjustable Slide Kit

Plating Plus™ Model No.	Dimensions	
	(In.)	(mm.)
ADS24CKIT	24	610

2-Piece Tray Slides

Plating Plus™ Model No.	Gold Bond® Model No.	W x L x H		Slide Spacing		Fits Shelf	
		(In.)	(mm.)	(In.)	(mm.)	(In.)	(mm.)
TR3C	TR3Y	14.5 x 23	371 x 577	1.5	1	18	457
TR5C	TR5Y	20 x 23	508 x 577	1.5	1	24	610



Drive-Thru Support Equipment

DRIVE-THRU ACCESSORIES

Bins

- Attach to Hanger Bar or sit on shelf

Model No.	Color	L x W x H (In.) (mm.)	
ISS30230B	Blue	11 x 5.5 x 5	279 x 140 x 127
ISS30230BLK	Black	11 x 5.5 x 5	279 x 140 x 127
ISS30235B	Blue	11 x 11 x 5	279 x 279 x 127
ISS30235BLK	Black	11 x 11 x 5	279 x 279 x 127
ISS30240B	Blue	15 x 8 x 7	375 x 210 x 178
ISS30250B	Blue	15 x 16.5 x 7	375 x 419 x 178



Bin Divider

- Divides bin along width

Model No. ISS40120

Post Extender & Connector

- Joins two posts together for greater height

Model No.	Description
PE	Post Extender
PC	Post Connector



S-Hooks

- Use two S-Hooks per shelf to continue a run of shelving or in corners
- Provides easier access to corner storage by eliminating posts

Plating Plus™ Model No.	Gold Bond® Model No.	Stainless Steel Model No.
SH2C	SH2Y	SH2S



Corner Cap

- Covers shelf corners on add-on units or wall shelvings

Model No.: CHP1C Chrome Corner Cap
Model No.: CHP1Y Gold Bond® Corner Cap



Collar Plug

- Accessory plastic plug to cap wire shelf collars if desired when using wall brackets or add-on clips.

Model No. COLPL

Hanger Bar

- Bar fastens to posts to hold bins
- Available in Plating Plus™ and Gold Bond® finishes



Model No.	L x W x H (In.) (mm.)		Weight (Lb.) (Lb.)	
BH24E	1.5 x 24 x 3.5	38 x 610 x 89	1	0.3
BH36C	1.5 x 36 x 3.5	38 x 914 x 89	1	0.3
BH48Y	1.5 x 48 x 3.5	38 x 1219 x 89	1	0.3
BH60Y	1.5 x 60 x 3.5	38 x 1524 x 89	1	0.5

Coffee Pot Holders

Model No.	W x L x H (In.) (mm.)		Weight (Lbs.) (Kg.)	
2-Pot Holder				
COFF2E	6 x 5 x 13	153 x 143 x 343	2.5	1
3-Pot Holder				
COFF3E	6 x 5 x 20.5	153 x 143 x 511	3	1

Drive-Thru Support Equipment

DRIVE-THRU ACCESSORIES

Drawer Dividers

Model No.	Description	Fits Drawers
DDL223	Long Drawer Divider	DO223
DDL173	Short Drawer Divider	DO223
DDL226	Long Drawer Divider	DO226
DDL176	Short Drawer Divider	DO226

Drawers

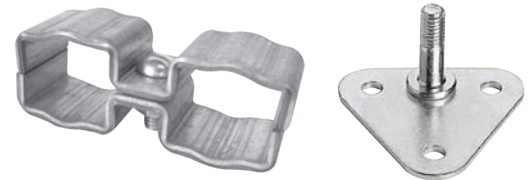
Model No.	W x L x H	
	(In.)	(mm.)
DO223	3 x 22.5 x 17.5	76 x 558 x 457
DO226	6 x 22.5 x 17.5	152 x 558 x 457



Clamps, Clips & Foot Plates

Model No.	Description	
PC2	Post Clamps	Joins 2 posts side x side
MFP1*	Modified Foot Plate	May Be Bolted To Floor
MMFP1*	Half Modified Foot Plate	May Be Bolted To Floor
FG4	Foot Glide	4 To Bag
WC1	Wall Clip	Secures Shelf To Wall (Not Illustrated)
WC2	Angled Wall Clip	Secures Shelf To wall

*Select a finish. Add to model #.



Finish	Use Suffix
Plating Plus™	C
Grey Bond®	E
Gold Bond®	Y

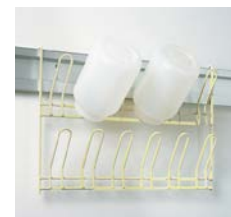
Wall Trax™ Baskets

•Attach quickly and easily to Wall Trax™ system

Model No.	W x L x H		Weight	
	(In.)	(mm.)	(Lb.)	(Kg)
GB12246	12 x 24 x 6	305 x 610 x 150	4	2
GB12186	12 x 18 x 6	305 x 457 x 150	3	1
GB18143	14 x 18 x 3	355 x 457 x 76	3	1
GBSPRNK	5 x 12 x 4	126 x 305 x 102	1	1.5
GB4512**	5 x 12 x 4	126 x 305 x 102	1	1.5
GB4418R1	4 x 18 x 4	102 x 457 x 102	1.5	2
GB12106	12 x 10 x 6	254 x 305 x 150	2.5	1
GB3420	4 x 20 x 3	102 x 508 x 76	3	1

Wall Trax™ Holders

Model No.	W x L x H		Weight	
	(In.)	(mm.)	(Lbs.)	(Kg.)
Bottle Holder				
GRBTLHD	4 x 21 x 13	102 x 533 x 330	2	1
Scoop Holder				
GRSCOOP	5 x 10 x 6	127 x 254 x 150	1	0.6



Hooks

Model No.	Description	W x L x H		Weight
		(In.)	(mm.)	
HOOK24	24" Hook, seven 6" prongs	7 x 24 x 6.5	182 x 603 x 165	2 1
HOOK12	12" Hook, four 6" prongs	7 x 12 x 6.5	182 x 305 x 165	1 0.5
PHK	Pot Hook			



Drive-Thru Support Equipment

DRIVE-THRU ACCESSORIES

Clear Covered Label Holders

- Insert paper label from top
- Label is protected by clear plastic face
- Available in clear only

Model No.	Length (In.)	Fits Shelf Length (In.)	For Labels W x L (In.)
PTBM36	32	36	1 x 32
PTBM48	44	48	1 x 44

Additional sizes are available, call for details.

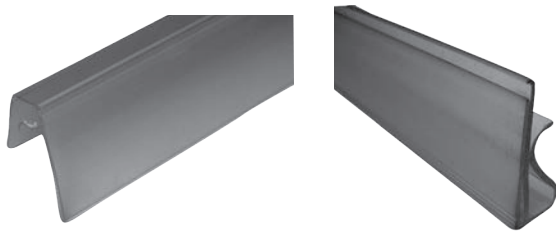
ISS™ Sure-Lock™

Model No.	Description
PCS3	Sure Lock™ Set of 8 Round Plastic



Label Holders for Inverted Shelves

Model No.	Length (In.)	Fits Shelf Length (In.)	For Labels W x L (In.)
ISBM36	32.5	36	1 x 32
ISBM48	44.5	48	1 x 44

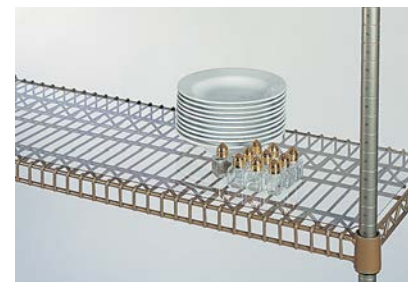


Shelf Gard™ Polyethylene Shelf Covers

Opaque Model No.	Clear Model No.	W x L (In.)	Weight (Lbs.) (Kg.)	
1424PSG	1424CPSG	14 x 24	1.5	1
1436PSG	1436CPSG	14 x 36	1.5	1
1448PSG	1448CPSG	14 x 48	2	1
1460PSG	1460CPSG	14 x 60	2.5	1
1824PSG	1824CPSG	18 x 24	1.5	1
1836PSG	1836CPSG	18 x 36	2	1
1848PSG	1848CPSG	18 x 48	2.5	1
1860PSG	1860CPSG	18 x 60	3	1
2424PSG	2424CPSG	24 x 24	2	1
2436PSG	2436CPSG	24 x 36	2.5	1
2448PSG	2448CPSG	24 x 48	4	1.5
2460PSG	2460CPSG	24 x 60	4	2

Label Holders For Paper Labels — Slotted Style

Model No.	Length (In.)	Fits Shelf Width (In.)	For Labels W x L (In.)
BM1	3	All	Up to 1 x 3
BM24	20	24	Up to 1 x 20
BM36	32	36	Up to 1 x 32
BM48	44	48	Up to 1 x 44
BM60	56	60	Up to 1 x 56
BM72	68	72	Up to 1 x 68





SPG™


Maximizing efficiency, improving performance, getting more out of your people and your investment — it's what you must do every day to make your business more successful and more profitable. And it's what SPG helps you achieve through our extensive line of innovative food service equipment.

At SPG, our equipment is ergonomically designed to minimize the time, movement and effort of your staff— while maximizing the efficiency of every inch of your available space. We use the best materials for the job and manufacture to strict tolerances to ensure our equipment provides lasting performance and enduring value.


As a global company, we manufacture ISS, Kelmax, Freestyle and other quality storage product lines throughout North America and the Pacific. As a result, our products are delivered to businesses throughout the world every day...and every day we continue to deliver on our promise to ensure their continuing success and profitability.

CONTACT SPG

For SPG's complete product menu, visit spgusa.com or contact us:

 877.503.4SPG (4774)

 info@spgusa.com

 SPG International, LLC
World Headquarters
3340 Peachtree Rd Suite 1250
Atlanta, Georgia 30326